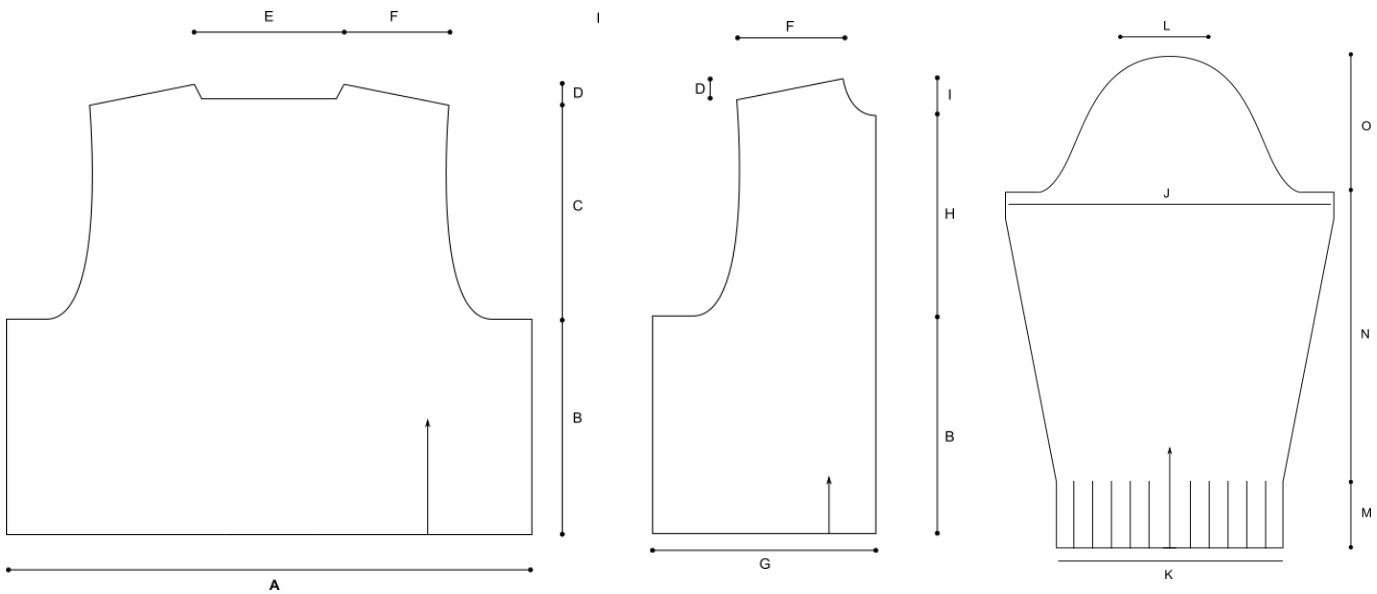


Letters From the Open Road

Jennifer L Parroccini Designs



Inches

A - Back Width: 15.25 (17.5, 19.25, 21, 22.75) (25, 26.75, 28.5, 30.25, 31.25)

B - CO to Underarm Length A: 9 (8.5, 8.5, 8, 7.5) (7.5, 7, 6.5, 6.5, 6)

B - CO to Underarm Length B: 12.75 (12.5, 12.25, 11.75, 11.5) (11.25, 10.75, 10.5, 10.25, 9.75)

B - CO to Underarm Length C: 16.75 (16.5, 16.25, 15.75, 15.5) (15.25, 14.75, 14.5, 14.25, 13.75)

C - Back Armhole Depth: 6.75 (7.25, 7.5, 8, 8.5) (8.75, 9, 9.5, 9.75, 10)

D - Shoulder Depth: 1.75

E - Neck: 6.25 (6.5, 6.75, 6.75, 7) (7.25, 7.5, 7.75, 8.25, 8.5)

F - Shoulder Width: 3.25 (3.25, 3.25, 3.5, 3.75) (3.75, 3.75, 4, 4.25, 4.25)

G - Front Width: 6.25 (7, 8.5, 9.5, 10.75) (11.25, 12.5, 13.5, 14.75, 15.75)

H - Front Armhole Depth: 6.75 (7.25, 7.5, 7.75, 8.25) (8.5, 8.75, 9.25, 9.5, 9.75)

I - Neck Depth: 2.5

J - Bicep: 11.25 (12.25, 13.25, 14.25, 15.25) (16.5, 17.75, 19.25, 21, 22.5)

K - Wrist: 7 (7.5, 7.5, 8.25, 8.75) (8.75, 9.25, 9.75, 9.75, 10.25)

L - Final Bind Off: 3 (3.5, 4.5, 4.75, 5) (5.5, 6.5, 7, 7.5, 8.25)

M - Cuff length: 2.75

N - Cuff to Underarm: 16.75 (16.5, 16.5, 15.75, 15.5) (15.25, 15.25, 14.75, 14.75, 14.5)

O - Cap Depth: 4 (4.5, 4.5, 5, 5.25) (5.5, 5.5, 6, 6, 6.25)

Sizes

A (B, C, D, E) (F, G, H, I)

CM

A - Back Width: 38 (44, 48, 52.5, 57) (62.5, 67, 71, 75.5, 78)

B - CO to Underarm Length A: 22.5 (21.5, 21, 20, 19) (18.5, 17.5, 16.5, 16, 15)

B - CO to Underarm Length B: 32 (31, 30.5, 29.5, 28.5) (28, 27, 26, 25.5, 24.5)

B - CO to Underarm Length C: 42 (41, 40.5, 39.5, 38.5) (38, 37, 36, 35.5, 34.5)

C - Back Armhole Depth: 17 (18, 18.5, 20, 21) (22, 22.5, 23.5, 24.5, 25)

D - Shoulder Depth: 4

E - Neck: 15.5 (16, 17, 17, 17.5) (18, 19, 19.5, 20.5, 21)

F - Shoulder Width: 8 (8, 8, 9, 9.5) (9.5, 9.5, 10, 10.5, 10.5)

G - Front Width: 15.5 (17.5, 21, 24, 27) (28, 31, 34, 37, 39.5)

H - Front Armhole Depth: 17 (18, 18.5, 19.5, 20.5) (21, 22, 23, 23.5, 24.5)

I - Neck Depth: 6.5

J - Bicep: 28 (30.5, 33, 35.5, 38) (41, 44.5, 48, 52.5, 56)

K - Wrist: 17.5 (19, 19, 20.5, 21.5) (21.5, 23, 24.5, 24.5, 26)

L - Final Bind Off: 7.5 (9, 11, 12, 12.5) (14, 16, 17.5, 19, 20.5)

M - Cuff length: 7

N - Cuff to Underarm: 42 (41, 41, 39.5, 39) (38, 38, 37, 37, 36.5)

O - Cap Depth: 10 (11, 11, 12.5, 13) (14, 14, 15, 15, 15.5)

Finished full bust measurement, zipped: 30.5 (34.5, 39, 43, 47) (50.5, 54.5, 58.5, 62.5, 66) inches / 76 (86, 97.5, 107.5, 117.5) (126, 136, 146, 156, 164.5) cm

Finished upper sleeve circumference: 11 (11.75, 13, 13.75, 15) (16.25, 17.5, 19, 20.75, 22.25) inches / 27.5 (29.5, 32.5, 34.5, 37.5) (40.5, 44, 47.5, 52, 55.5) cm